

Weap-One

Exclusive REBELLION caliber developed with Concepto

Manual-winding asymmetrical 60-seconds flying tourbillon



Introduction

REBELLION Timepieces was born of the same passion for perfect mechanics as REBELLION Racing. Unique bodywork, exceptional technical materials, exclusive engines and outstanding performance: each collection pays tribute to the spirit of competition and car racing.

Free from traditional restrictions of form and use, REBELLION's newest timepiece literally breaks the mold. This piece of mechanical art is uninhibited by existing rules. Suspended between the hour and minute rollers, an asymmetrical, 60-second flying tourbillon rotates on multiple axes. This novel and innovative feature enables the tourbillon to defy earth's gravitational pull from all sides. Completed with two wheel nuts, this magnificent piece is truly revolutionary and unique. Limited Edition 10 pieces

The Case

An exquisite saphir tube houses the innovative engine, giving an unobstructed view of its dynamic movements.

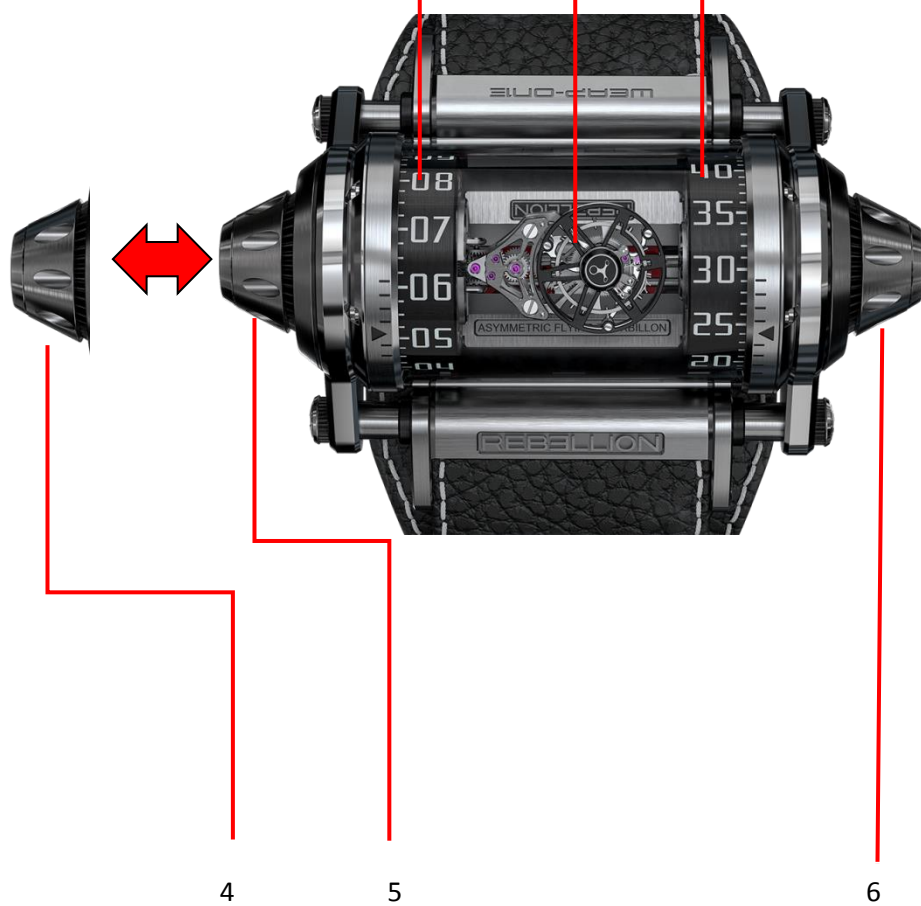
The Movement

Inspired by the most profound race car suspensions, this unique proprietary movement - made in collaboration with Concepto - is housed in an astonishing saphir tube. Hours on the left and minutes on the right - a tourbillon is expertly suspended between two rollers. A speed differential causes the 60-second flying tourbillon to rotate on multiple axes, rendering this manual engine extremely resistant to earth's gravitational pull.

Displays and functions

1 3 2

- 1- HOUR ROLLER
- 2- MINUTE ROLLER
- 3- ASYMMETRICAL FLYING TOURBILLON 60 SECONDS
- 4- **CROWN 1 - POSITION 2** : SETTING THE TIME
- 5- **CROWN 1 - POSITION 1** : CROWN AT HOME POSITION
- 6- **CROWN 2**: WINDING



4

5

6

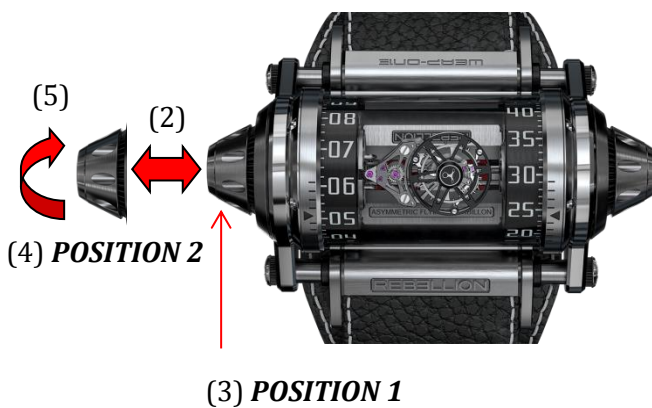
Settings:

Winding the watch



Your timepiece is a manual winding movements. You must wind it manually by rotating the **CROWN-2**. To wind your watch, turn the **CROWN-2** clockwise approximately 10 full turns (1). When it is fully wound, your timepiece has a power reserve of 50 hours.

Setting the Time



Pull the crown out (2) from **POSITION 1** (3) to **POSITION 2** (4) and turn the crown clockwise or counterclockwise (5) to set the Time. After having set the Time, push the crown back to the home position **POSITION 1** (3).

Recommendations: Care & Maintenance

For best care of your watch we advise:

- ✂ Clean your watch regularly with a gentle microfiber tissue to keep it in optimal condition.
- ✂ Avoid contact with water or sweat to prevent premature ageing of your leather strap.
- ✂ Avoid any immersion especially in chlorinated or salty water.
- ✂ Avoid placing your timepiece anywhere where it might be subjected to major variations in temperature or humidity (e.g. sauna), or direct sunlight. Do not expose your watch to extreme temperatures (e.g. behind a car glass for long periods). Your watch's movement is designed to function ideally in temperatures ranging from 0°C to 50°C.
- ✂ Avoid placing your timepiece near strong magnetic fields (e.g. speakers, electrical motors, etc.) as they can affect the running of your timepiece.
- ✂ Avoid any contact with abrasives, hazardous gases, solvents, detergents, mosquito repellent, sun creams, perfumes, cosmetic products, or other chemical products as they may damage the watch case, the strap, the glass or synthetic parts of your watch.
- ✂ Avoid any type of shocks to your watch. In the event that your watch is exposed to any violent impact or shock, have your watch checked by REBELLION Timepieces immediately.
- ✂ Never use your watch's pushers, wind the watch or adjust time/date

when the watch is wet or has had any contact with water. This is to minimize risk of water entering the case and being exposed to moisture.

- ✂ Check if the crown is securely returned to the home position after each adjustment to prevent any water intrusion.

HAVING YOUR WATCH SERVICED

To ensure the running of your watch, we advise regular service and maintenance by our workshop at REBELLION Timepieces S.A. As with any racing car, the exclusive motor of your timepiece needs regular servicing in order to function to its fullest potential. We advise you to have your watch serviced at least once every 3 to 5 years by our workshop at REBELLION Timepieces S.A. We suggest you to take your watch to an Authorized REBELLION Timepieces Retailer who will send it to our workshop where it will be inspected and analyzed by our watchmakers. During your watch's maintenance, the case and the movement will be completely disassembled, cleaned lubricated and reassembled. Then rigorous accuracy calibrations and water resistance tests will be performed. Upon request, the case and the buckle will be refinished and polished. The full process takes several weeks because each watch must pass several tests to ensure REBELLION Timepieces' quality spirit.

If you have any questions about the servicing of your watch, please contact your Authorized Retailer or us directly at www.REBELLION-Timepieces.com

WATER RESISTANCE

Your Weap-One is dust and splash resistant. It is not waterproof. In case of any accident you must contact any official center for REBELLION Timepieces or by an Authorized Retailer. A full list of retailers can be found on our website www.REBELLION-timepieces.com

WATER RESISTANCE TABLE

	Dust and splash resistance	30m (3atm)	50m (5atm)	100m (10atm)	200m (20atm)
Dishwashing	yes	yes	yes	yes	yes
Car washing	no	yes	yes	yes	yes
Walking in the rain	no	yes	yes	yes	yes
Showering	no	no	yes	yes	yes
Bathing	no	no	yes	yes	yes
Skiing	no	no	yes	yes	yes
Parachuting	no	no	yes	yes	yes
Swimming in still water	no	no	yes	yes	yes
Fishing	no	no	yes	yes	yes
Snorkeling	no	no	no	yes	yes
Poolside diving	no	no	no	yes	yes
Surfing	no	no	no	yes	yes
Water skiing	no	no	no	no	yes
Professional water activities	no	no	no	no	yes
High diving	no	no	no	no	yes
Deep diving without scuba	no	no	no	no	yes
Scuba diving	no	no	no	no	no

Don't forget to check our warranty document - CF UserWarranty-Care&Maintenance-WaterResistance document.

Best regards,

REBELLION Timepieces SA