

# Gotham

## REB T-2000 (REB T2K)

Manual winding movement with 1,000 hours of power reserve



### Introduction

REBELLION Timepieces was born of the same passion for perfect mechanics as REBELLION Racing. Unique bodywork, exceptional technical materials, exclusive engines and outstanding performance: each collection pays tribute to the spirit of competition and car racing.

Strapping and muscular, the Gotham uninhibitedly parades its formidable power. On its stocky, titanium chassis, the angular body protects an exceptional

engine and exhibits only the key elements. Boasting the same energy distribution system as the T-1000, the Gotham also showcases the same mind-blowing power reserve of 1,000 hours.

A special limited edition of only 25 pieces.

Web:  
rebellion-timepieces.com  
info@rebellion-timepieces.com

Rebellion-Timepieces SA  
Case postale 28  
1027 Lonay

  
**REBELLION**<sup>®</sup>  
MANUFACTURE HORLOGERE SUISSE

## **The Case**

A robust silhouette machined in natural or blackened grade 5 titanium with almost 80 components encasing the T-2000 engine, which is revealed through windows of sapphire crystal.

Shielded on the back of the chassis, the oversized winding lever offers exceptional power. Just a few seconds of winding suffice to provide the Gotham with its record 1,000 hours of endurance.

Press and turn. An ingenious push button sparks the ignition of the patented crown. Set the time as smoothly as changing gears.

Two vertical rollers revolve in opposite directions to display the hours and minutes. It is the embodiment of exceptional technology in a mechanical timepiece

## **The Movement**

Two micro-chains are responsible for driving power to the engine. With 182 elements along 46mm of length, they are the world's smallest mechanical chains.

The superb, all-aluminum T-2000 engine is an original manufacture movement so radically innovative that it required three years of research, development and refinement. The exceptional design and oversized silhouette of the Gotham completely dismantles the existing idea of a conventional movement. Super lightweight, it displays a three dimensional architecture with vertical wheels and a mechanical chain transmission. It is an absolute concentration of innovation and performance.

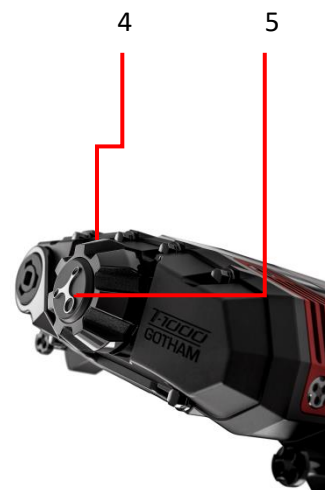
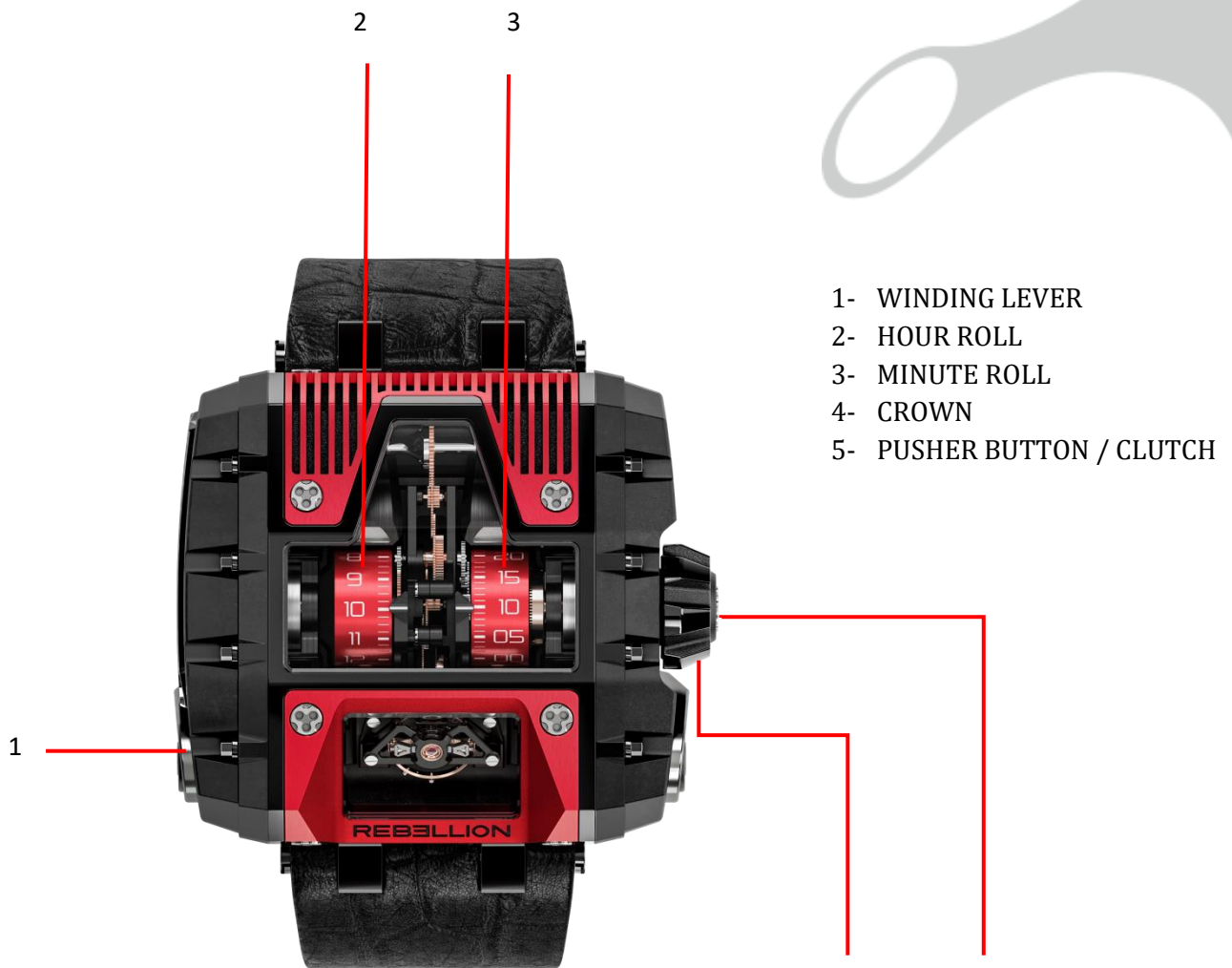


Web:  
rebellion-timepieces.com  
info@rebellion-timepieces.com

Rebellion-Timepieces SA  
Case postale 28  
1027 Lonay

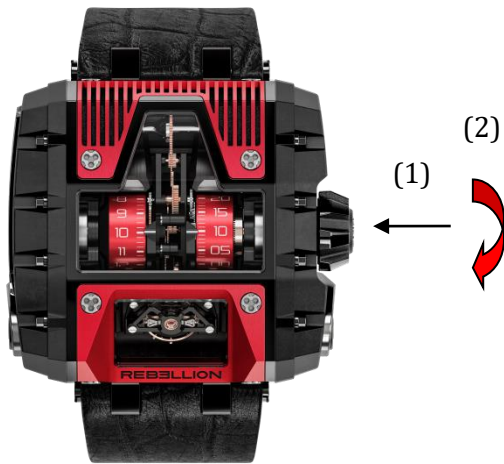
  
**REBELLION**<sup>®</sup>  
MANUFACTURE HORLOGERE SUISSE

## Displays and Functions



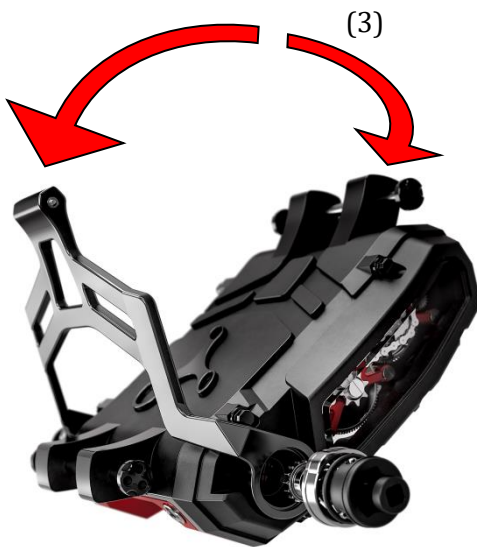
## Settings:

### Setting the Time



To set the time, press the **PUSHER BUTTON / CULTCH-5 (1)** situated in the middle of the **CROWN-4** and hold it while simultaneously turning the **CROWN-4** to adjust the hour and the minute rollers (2) to the correct time.

### Winding



To fully wind your **GOTHAM** watch from empty, operate the **WINDING LEVER-1** over its full span 180 times (3). **Do not force the WINDING LEVER-1** if you feel resistance, as it is an indication that the **6 mainspring barrels** are fully wound. When winding is complete, lightly press-click the **WINDING LEVER-1** back against the case. To maximize timekeeping performance, we recommend fully winding your Gotham once a month.

Web:  
rebellion-timepieces.com  
info@rebellion-timepieces.com

Rebellion-Timepieces SA  
Case postale 28  
1027 Lonay

  
**REBELLION**<sup>®</sup>  
MANUFACTURE HORLOGERE SUISSE

## Recommendations: Care & Maintenance

To take care of your watch we would advise you to:

- ✂ Clean your watch regularly with a gentle microfiber tissue to keep it in optimal condition.
- ✂ Avoid contact with water or sweat to prevent premature ageing of your leather strap.
- ✂ After immersion in chlorinated or salty water, rinse it in freshwater and leave it to dry completely.
- ✂ Avoid placing your timepiece anywhere where it might be subjected to major variations in temperature or humidity (e.g. sauna), or direct sunlight. Do not expose your watch to extreme temperatures (e.g. behind a car glass for long periods). Your watch's movement is designed to function ideally in temperatures ranging from 0°C to 50°C.
- ✂ Avoid placing your timepiece near strong magnetic fields (e.g. speakers, electrical motors, etc.) as they can affect the running of your timepiece.
- ✂ Avoid any contact with abrasives, hazardous gases, solvents, detergents, mosquito repellent, sun creams, perfumes, cosmetic products, or other chemical products as they may damage the watch case, the strap, the glass or synthetic parts of your watch.
- ✂ Avoid any type of shocks to your watch. In the event that your watch is exposed to any violent impact or shock, have your watch checked by REBELLION Timepieces immediately.

- ✂ Never use your watch's pushers, wind the watch or adjust time/date when the watch is wet or has had any contact with water. We recommend this to avoid water penetration, even if your timepiece is water resistant. This is to minimize risk of water entering the case and being exposed to moisture.
- ✂ Check if the pusher button / clutch is correctly returned to the home position securely after each adjustment to prevent any moisture or water intrusion.
- ✂ **Do not swim or take a shower with your watch.**  
It is dust and splash resistant but should not be worn while swimming.

### HAVING YOUR WATCH SERVICED

To ensure the running of your watch, we advise regular service and maintenance by our workshop at REBELLION Timepieces S.A. As with any racing car, the exclusive motor of your timepiece needs regular servicing in order to function to its fullest potential. We advise you to have your watch serviced at least once every 3 to 5 years by our workshop at REBELLION Timepieces S.A. We suggest you to take your watch to an Authorized REBELLION Timepieces Retailer who will send it to our workshop where it will be inspected and analyzed by our watchmakers. During your watch's maintenance, the case and the movement will be completely disassembled, cleaned lubricated and reassembled. Then rigorous accuracy calibrations and water resistance tests will be performed. Upon request, the case and the buckle will be refinished and polished. The full



process takes several weeks because each watch must pass several tests to ensure REBELLION Timepieces' quality spirit.

If you have any questions about the servicing of your watch, please contact your Authorized Retailer or us directly at [www.REBELLION-Timepieces.com](http://www.REBELLION-Timepieces.com)

## WATER RESISTANCE

It is dust and splash resistant but should not be worn while swimming.

**Do not swim or take a shower with your watch.**

### WATER RESISTANCE TABLE

	<b>Dust and splash resistance</b>	<b>30m (3atm)</b>	<b>50m (5atm)</b>	<b>100m (10atm)</b>	<b>200m (20atm)</b>
Dishwashing	yes	yes	yes	yes	yes
Car washing	no	yes	yes	yes	yes
Walking in the rain	no	yes	yes	yes	yes
Showering	no	no	yes	yes	yes
Bathing	no	no	yes	yes	yes
Skiing	no	no	yes	yes	yes
Parachuting	no	no	yes	yes	yes
Swimming in still water	no	no	yes	yes	yes
Fishing	no	no	yes	yes	yes
Snorkeling	no	no	no	yes	yes
Poolside diving	no	no	no	yes	yes
Surfing	no	no	no	yes	yes
Water skiing	no	no	no	no	yes
Professional water activities	no	no	no	no	yes
High diving	no	no	no	no	yes
Deep diving without scuba	no	no	no	no	yes
Scuba diving	no	no	no	no	no

**Don't forget to check our warranty document - CF UserWarranty-Care&Maintenance-WaterResistance document.**

*Best regards,*

*REBELLION Timepieces SA*

Web:  
rebellion-timepieces.com  
info@rebellion-timepieces.com

Rebellion-Timepieces SA  
Case postale 28  
1027 Lonay